

Product Nr.: 941 592 711
Model: EHL 805 K
Market: E, S, DK, FIN, N
Factory: SC
Glass Colour: Azurblue; Blue-Grey
Glass Decor : 585
Frame Colour: Black

Technical information:

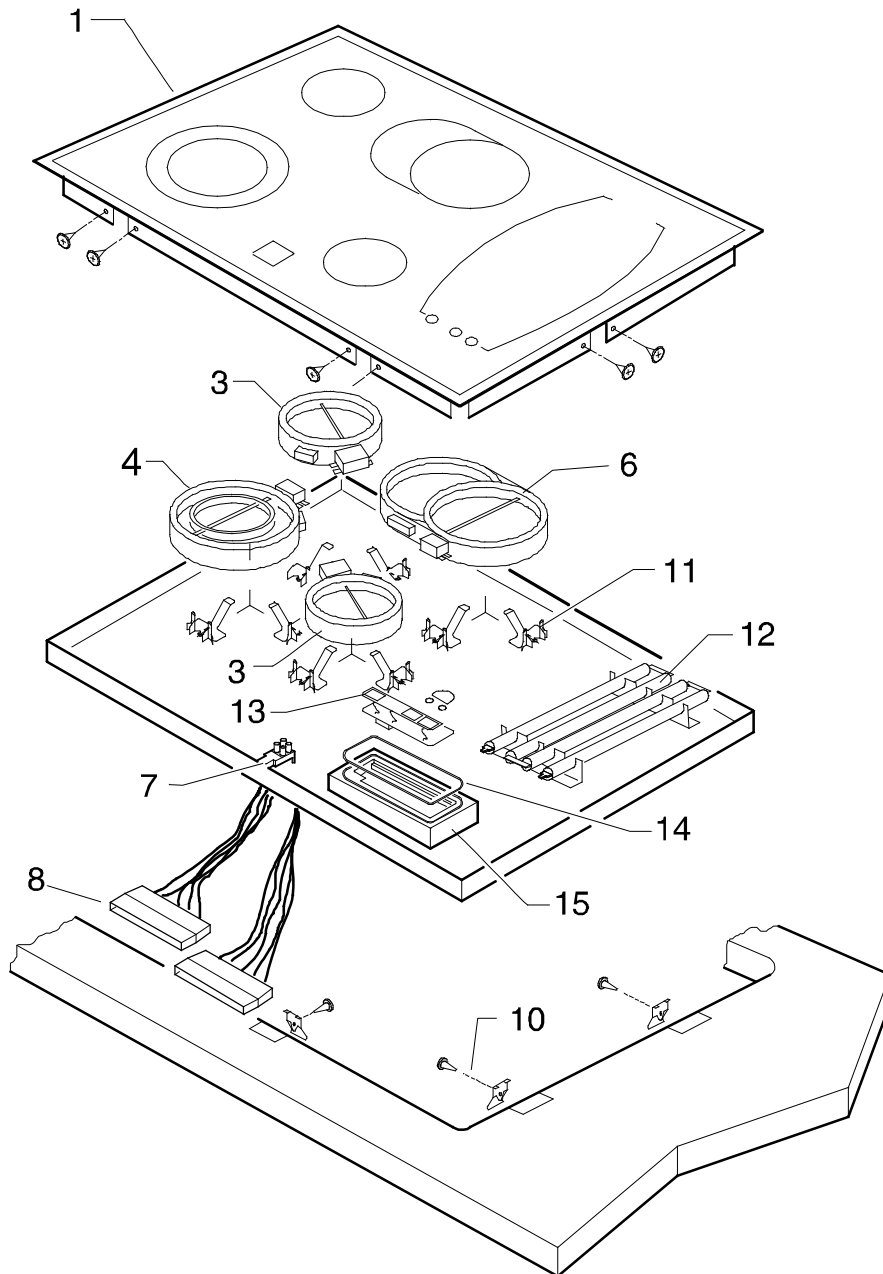
Voltage : 230 V
Power : 7.12 kW
Heating: RHLZ 3 - RHL 1 - RHLZ 7 - RHL1 - WF

Dimensions:

Out side : 766x506 mm
Cut out : 750x490 mm R= 5mm

Wiring diagram: 374 3018 05
Operating instructions: 374 3087 00

	Ceramic Hob	
	EHL 805 K	
Publication Nr.		
599 48 30-41/1		
02 / 06 / 97		
SC - Edition 1		



GRK002-17

Pos.	Part number	Part description
1	374 29 26-09/4	Glass-Set decor 585
3	374 00 34-28/9	Heating elem. RHL 1 ø140 / 1200W-230V
4	374 00 34-38/8	Heating elem. RHLZ 3 ø210/120 / 2200/750W-230V
6	374 00 34-36/2	Heating elem. RHLZ 7 170/265 / 2400W-230V
7	374 03 99-01/3	Residual heat indicator 230V
8	315 19 29-33/2	Connector 14 pols 1-2 - 230V
8	315 19 29-34/0	Connector 14 pols 3-4 - 230V
10	374 29 03-00/2	Kit catch spring
11	374 00 99-02/7	Spring
12	400 32 29-99/6	Heating elem. WF 120W - 230V
13	374 29 06-01/3	Kit Touch control 230V
14	374 25 43-01/4	Gasket
15	374 24 34-00/8	Housing

