

SRS-Z750/Z750PC

SERVICE MANUAL

Ver 1.0 1998.07

*US Model
Canadian Model
AEP Model
UK Model
E Model
Australian Model*



Photo: SRS-Z750PC

SPECIFICATIONS

Amplifier section

Power output	7.5 W + 7.5 W
Input impedance	4.7 Kiloohms (at 1 kHz)
Input	Stereo mini jack (INPUT) (SRS-Z750) Stereo mini jack × 2 (INPUT 1, 2) (SRS-Z750PC)

Speaker section

System	Full-range, bass reflex type
Speaker unit	Magnetically shielded ø65 mm (2 5/8 inch)
Nominal Impedance	8 ohms
Rated input power	7.5 W

General

Power requirement	DC IN 15 V jack accepts the supplied Sony AC power adaptor (left speaker only)
Dimensions	Approx. 90 × 165 × 155 mm (3 5/8 × 6 1/2 × 6 1/8 in.) (w/h/d) incl. projecting parts and controls
Mass	Left speaker: Approx. 850 g (1 lb. 14 oz.) Right speaker: Approx. 750 g (1 lb. 10 oz.)
Supplied accessories	AC power adaptor AC-S1510 (1) Connecting cord (stereo miniplug ↔ stereo miniplug) (1)

Design and specifications are subject to change without notice.

The CE mark on the unit is valid only for products marketed in the European Union.

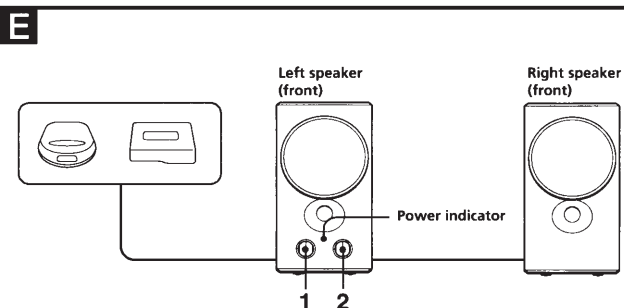
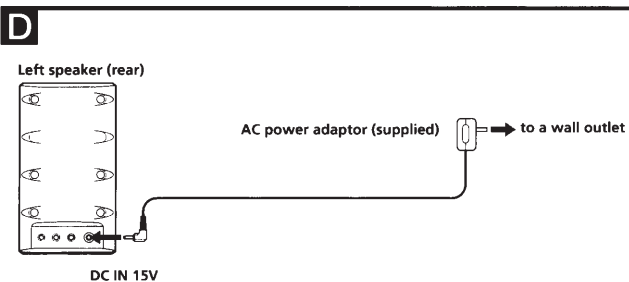
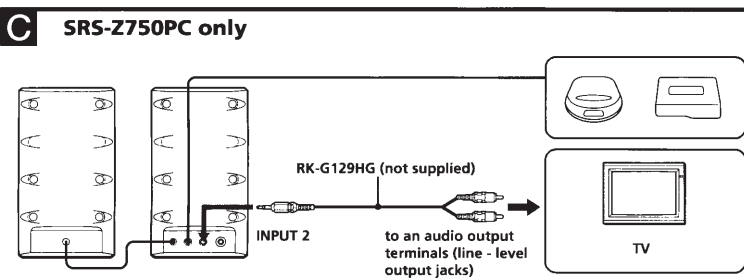
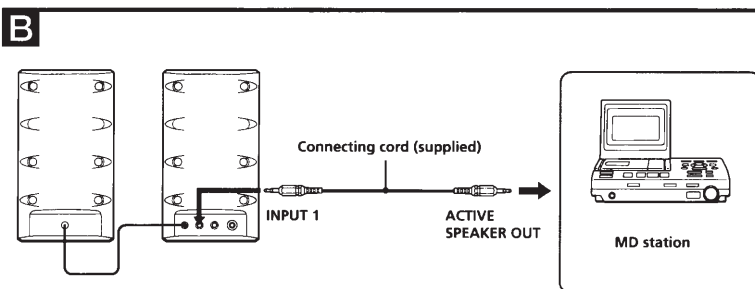
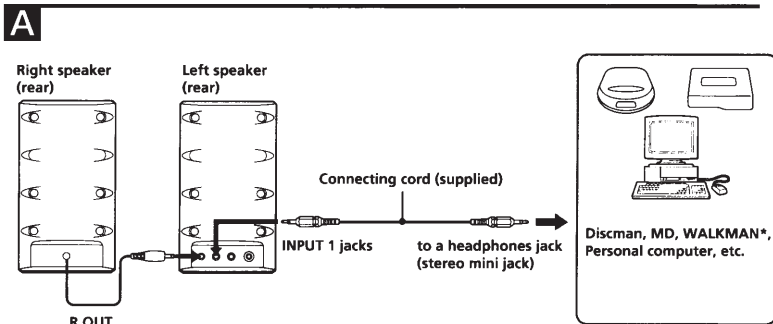
STEREO ACTIVE SPEAKER SYSTEM



SONY®

SECTION 1 GENERAL

This section is extracted from instruction manual.



Connections (See fig. A)

Connect the left speaker to the source equipment.

When the system is connected to a monaural jack of a radio, etc., the sound may only come through the left speaker. In such a case, use the optional Sony plug adaptor PC-236HG. The sound will come through both speakers.

To connect to a stereo phone-type headphones jack

Use the optional RK-G138HG connecting cord.

Connecting with an MD station (See fig. B)

Use the INPUT 1 jack (INPUT jack for SRS-Z750) on the left speaker when connected to an MD station.

Connecting with second equipment (SRS-Z750PC only) (See fig. C)

Use the INPUT 2 jack on the left speaker when connected to another source equipment.

Note

The SRS-Z750 is not equipped with the INPUT 2 jack.

Power Source (See fig. D)

The mains power source is required when the system is used.

Note

Do not plug the AC power adaptor to the DC IN 15V jack with the cord side facing downward. Doing so may damage the plug and the unit become unstable.

Note on the AC power adaptor

Use only the supplied AC power adaptor. Do not use any other AC power adaptor.



How to Use (See fig. E)

1 Turn the POWER switch to turn on the system.

The POWER indicator lights up.

2 Adjust the volume with the VOLUME control.

Note

- Turn off the MEGA BASS (Walkman) or BASS BOOST (Discman, etc.) function as it may cause sound distortion.

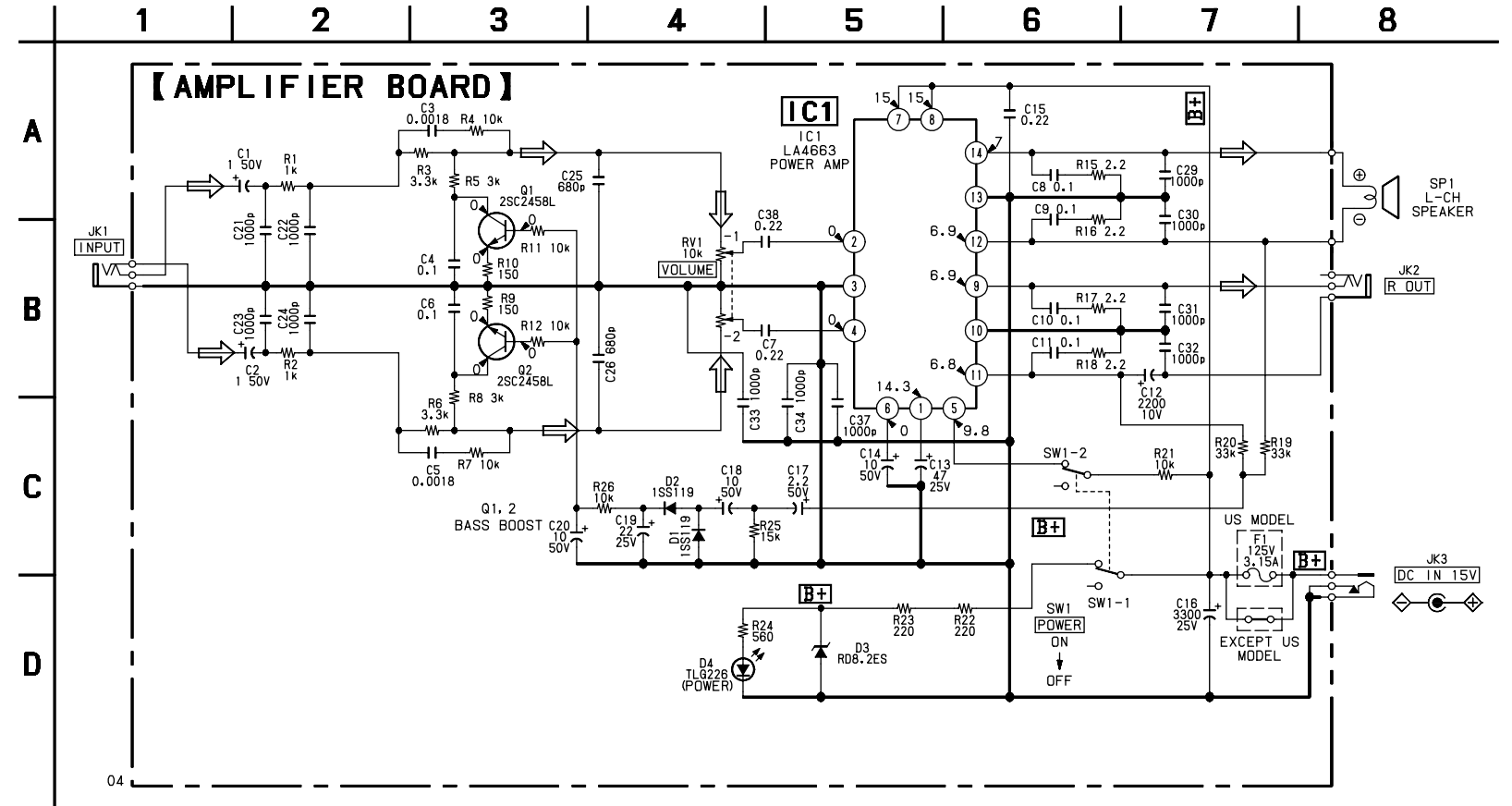
- When you connect two audio equipment to the unit and play them at the same time, both sound will be mixed and come from the speakers. Therefore, be sure to turn off either of the equipment that you do not use. (SRS-Z750PC only)

After listening, turn the POWER switch to turn off the system. The POWER indicator goes out.

SECTION 2
DIAGRAMS

2-1. PRINTED WIRING BOARD (SRS-Z750)

2-2. SCHEMATIC DIAGRAM (SRS-Z750)



Note:

- All capacitors are in μF unless otherwise noted. pF: μpF
50 WV or less are not indicated except for electrolytics and tantalums.
- All resistors are in Ω and $1/4\text{W}$ or less unless otherwise specified.
- \square : panel designation.
- $\text{B}+$: B+ Line.
- Power voltage is dc 15 V and fed with regulated dc power supply from external power voltage jack.
- Voltage is dc with respect to ground under no-signal condition.
- Voltages are taken with a VOM (Input impedance 10 M Ω). Voltage variations may be noted due to normal production tolerances.
- Signal path.
- \Rightarrow : AUDIO

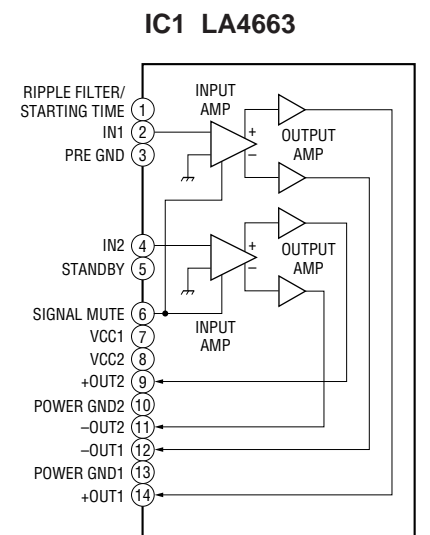
• Semiconductor Location

Ref. No.	Location
D1	D-2
D2	D-3
D3	F-2
D4	F-2
IC1	D-2
Q1	E-3
Q2	E-3

Note:

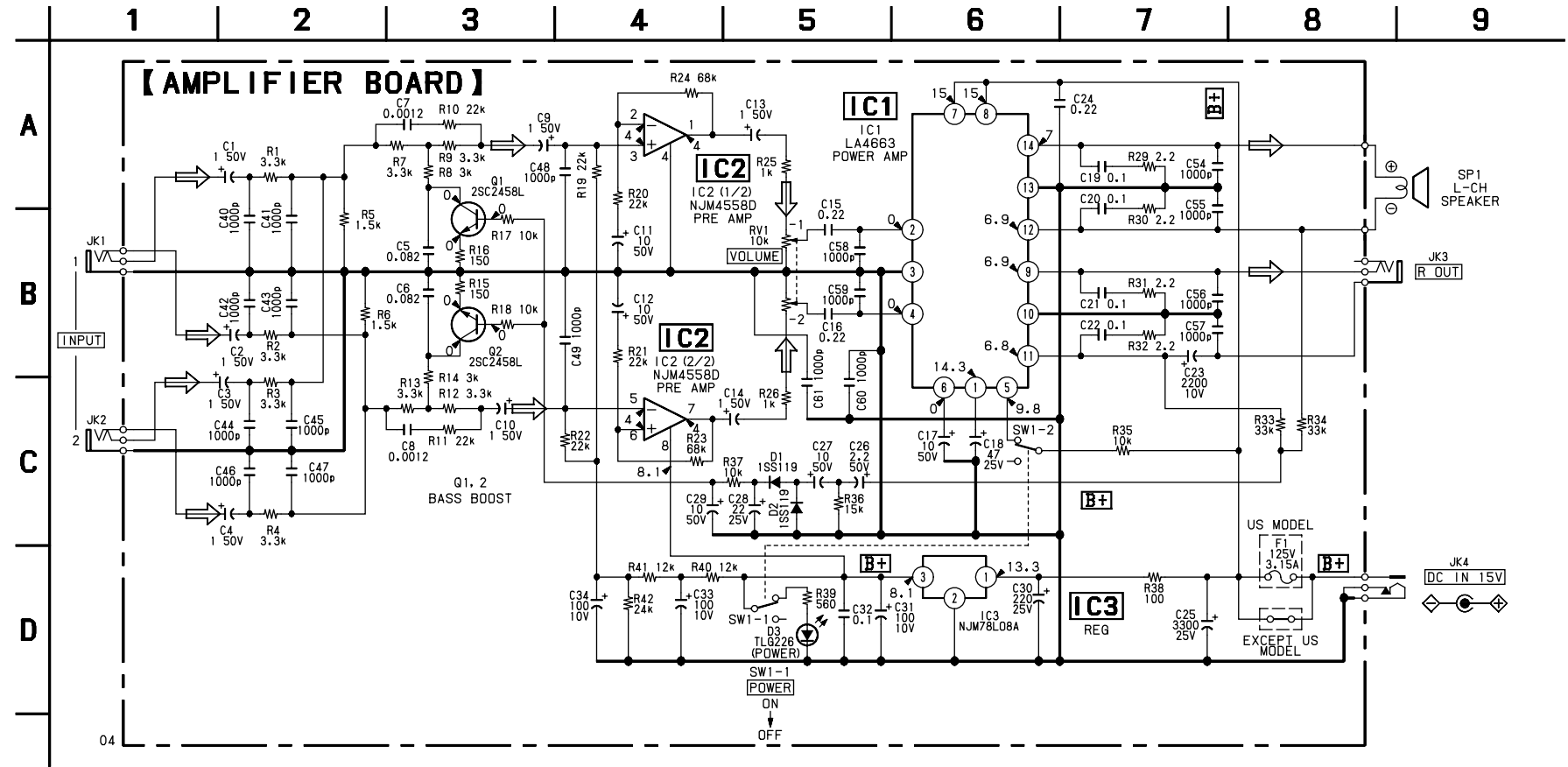
- \circ : parts extracted from the component side.
- --- : parts extracted from the conductor side.
- --- : Pattern from the side which enables seeing.

• IC Block Diagram



2-3. PRINTED WIRING BOARD (SRS-Z750PC)

2-4. SCHEMATIC DIAGRAM (SRS-Z750PC)



- Note:**
- All capacitors are in μF unless otherwise noted. pF : μpF
50 WV or less are not indicated except for electrolytics and tantalums.
 - All resistors are in Ω and $1/4\text{ W}$ or less unless otherwise specified.
 - : panel designation.
 - B+ : B+ Line.
 - Power voltage is dc 15 V and fed with regulated dc power supply from external power voltage jack.
 - Voltage is dc with respect to ground under no-signal condition.
 - Voltages are taken with a VOM (Input impedance 10 M Ω). Voltage variations may be noted due to normal production tolerances.
 - Signal path.
⇒ : AUDIO

• Semiconductor Location

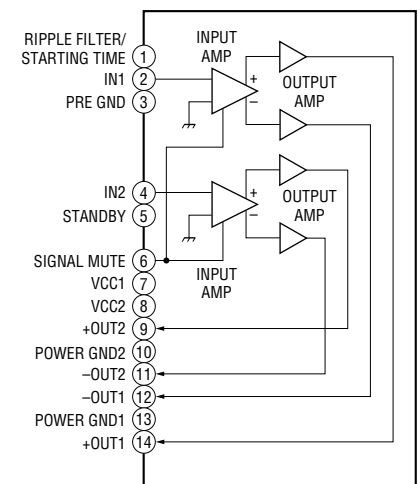
Ref. No.	Location
D1	D-2
D2	D-2
D3	F-2
IC1	D-2
IC2	E-3
Q1	D-3
Q2	D-3

Note:

- : parts extracted from the component side.
- : parts extracted from the conductor side.
- : Pattern from the side which enables seeing.

• IC Block Diagram

IC1 LA4663



SECTION 3 EXPLODED VIEWS

NOTE:

- The mechanical parts with no reference number in the exploded views are not supplied.
- Items marked “*” are not stocked since they are seldom required for routine service. Some delay should be anticipated when ordering these items.

- -XX and -X mean standardized parts, so they may have some difference from the original one.

- Color Indication of Appearance Parts

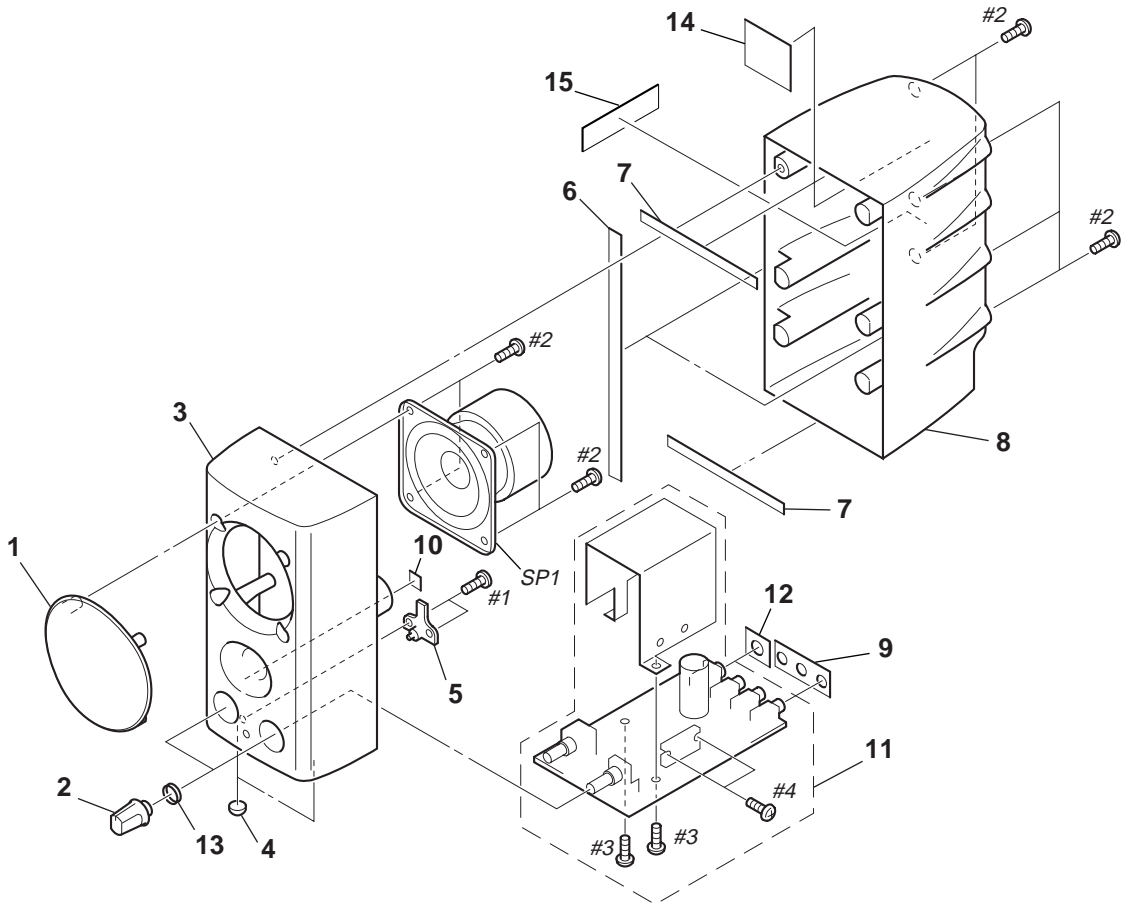
Example :

KNOB, BALANCE (WHITE) ... (RED)

↑ Parts Color ↑ Cabinet's Color

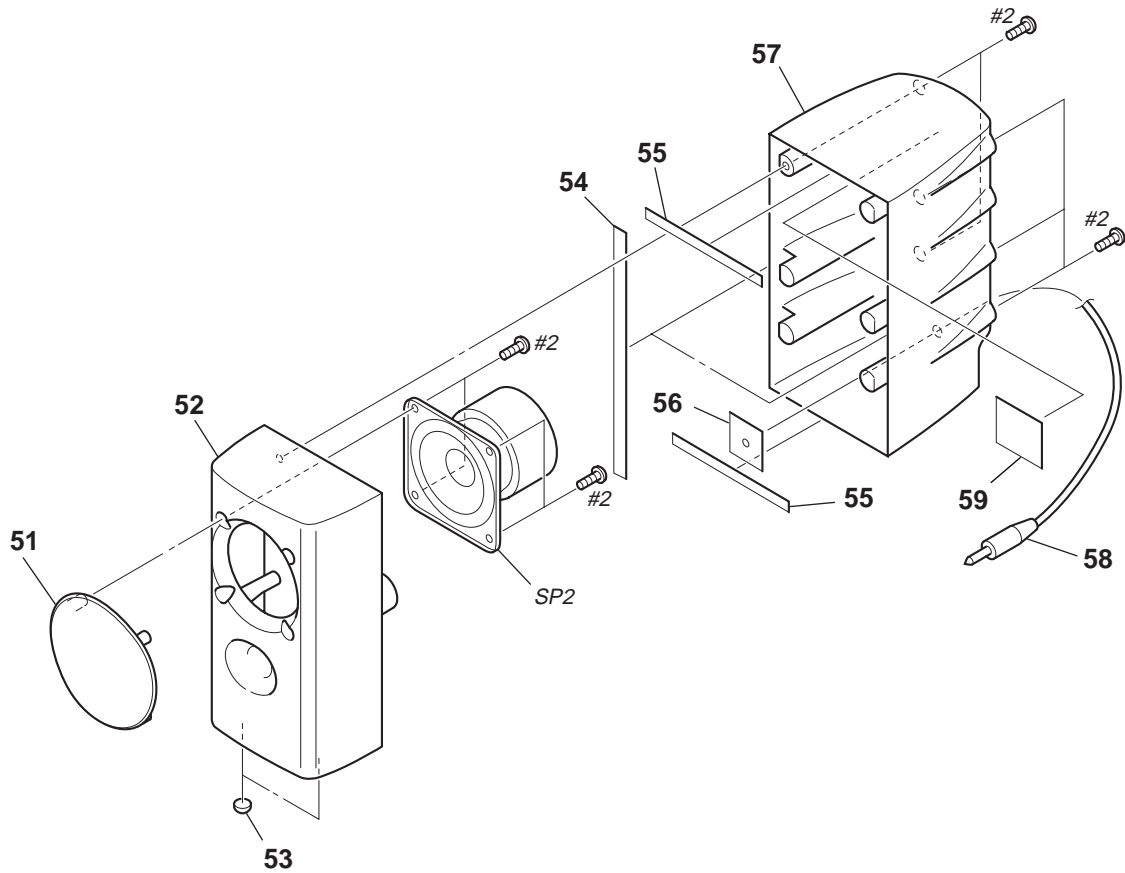
- Accessories and packing materials and hardware (# mark) list are given in the last of this parts list.

3-1. CABINET (L) SECTION



Ref. No.	Part No.	Description	Remark	Ref. No.	Part No.	Description	Remark
1	X-4950-204-1	GRILLE ASSY (Z750)		10	4-210-931-01	PACKING (POWER)	
1	X-4950-416-1	GRILLE ASSY (Z750PC)		* 11	A-4542-541-A	AMPLIFIER BOARD, COMPLETE (Z750PC:US)	
2	4-210-925-01	KNOB (Z750)		* 11	A-4542-542-A	AMPLIFIER BOARD, COMPLETE	
2	4-210-925-21	KNOB (Z750PC)				(Z750:EXCEPT US)	
3	4-210-919-01	CABINET (L), FRONT (Z750)		* 11	A-4542-543-A	AMPLIFIER BOARD, COMPLETE (Z750:US)	
3	4-210-919-11	CABINET (L), FRONT (Z750PC)		* 11	A-4542-544-A	AMPLIFIER BOARD, COMPLETE	
4	3-740-607-01	CUSHION				(Z750PC:EXCEPT US)	
* 5	4-210-933-01	PLATE, LIGHT GUIDE		12	4-210-932-01	PACKING (DC-IN)	
6	4-210-927-01	PACKING (LARGE)		13	4-964-032-01	SPRING, COIL	
7	4-210-928-01	PACKING (SMALL)		* 14	4-210-930-01	ABSORBENT, ACOUSTIC (EXCEPT US)	
8	4-210-921-01	CABINET (L), REAR (Z750)		* 15	3-703-044-26	LABEL, CAUTION (US)	
8	4-210-921-21	CABINET (L), REAR (Z750PC)		SP1	1-505-926-11	SPEAKER (065F042)	
9	4-210-929-01	PACKING (JACK)					

3-2. CABINET (R) SECTION



Ref. No.	Part No.	Description	Remark	Ref. No.	Part No.	Description	Remark
51	X-4950-204-1	GRILLE ASSY (Z750)		56	4-212-904-01	PACKING (CORD)	
51	X-4950-416-1	GRILLE ASSY (Z750PC)		57	4-210-922-01	CABINET (R), REAR (Z750)	
52	4-210-920-01	CABINET (R), FRONT (Z750)		57	4-210-922-11	CABINET (R), REAR (Z750PC)	
52	4-210-920-21	CABINET (R), FRONT (Z750PC)		58	1-769-080-11	CORD (WITH PLUG) (Z750)	
53	3-740-607-01	CUSHION		58	1-769-080-31	CORD (WITH PLUG) (Z750PC)	
54	4-210-927-01	PACKING (LARGE)		* 59	4-210-930-01	ABSORBENT, ACOUSTIC (EXCEPT US)	
55	4-210-928-01	PACKING (SMALL)		SP2	1-505-926-11	SPEAKER (065F042)	

SECTION 4 ELECTRICAL PARTS LIST

AMPLIFIER

NOTE:

- Due to standardization, replacements in the parts list may be different from the parts specified in the diagrams or the components used on the set.
- -XX and -X mean standardized parts, so they may have some difference from the original one.
- RESISTORS
All resistors are in ohms.
METAL: Metal-film resistor.
METAL OXIDE: Metal oxide-film resistor.
F: nonflammable
- Abbreviation
CND : Canadian model
EE : East European model
SP : Singapore model
AUS : Australian model

- Items marked “*” are not stocked since they are seldom required for routine service. Some delay should be anticipated when ordering these items.
- SEMICONDUCTORS
In each case, u : μ , for example:
uA.. : μ A.. uPA.. : μ PA..
uPB.. : μ PB.. uPC.. : μ PC.. uPD.. : μ PD..
- CAPACITORS
uF : μ F
- COILS
uH : μ H

When indicating parts by reference number, please include the board.

Ref. No.	Part No.	Description	Remark	Ref. No.	Part No.	Description	Remark
*	A-4542-542-A	AMPLIFIER BOARD, COMPLETE (Z750:EXCEPT US)				< DIODE >	
*	A-4542-543-A	AMPLIFIER BOARD, COMPLETE (Z750:US) *****		D1	8-719-911-19	DIODE 1SS119	
				D2	8-719-911-19	DIODE 1SS119	
				D3	8-719-110-08	DIODE RD8.2ES-B2	
				D4	8-719-822-26	LED TLG226 (POWER)	
						< FUSE >	
				F1	1-532-595-00	FUSE, GLASS TUBE (3.15A/125V) (US)	
						< IC >	
				IC1	8-759-538-94	IC LA4663	
						< JACK >	
				JK1	1-565-376-31	JACK (INPUT)	
				JK2	1-565-376-31	JACK (R OUT)	
				JK3	1-695-619-11	JACK, DC (DC IN 15V)	
						< TRANSISTOR >	
				Q1	8-729-205-83	TRANSISTOR 2SC2458L-GR	
				Q2	8-729-205-83	TRANSISTOR 2SC2458L-GR	
						< RESISTOR >	
				R1	1-249-417-11	CARBON 1K 5%	1/4W
				R2	1-249-417-11	CARBON 1K 5%	1/4W
				R3	1-247-843-11	CARBON 3.3K 5%	1/4W
				R4	1-249-429-11	CARBON 10K 5%	1/4W
				R5	1-247-842-11	CARBON 3K 5%	1/4W
				R6	1-247-843-11	CARBON 3.3K 5%	1/4W
				R7	1-249-429-11	CARBON 10K 5%	1/4W
				R8	1-247-842-11	CARBON 3K 5%	1/4W
				R9	1-249-407-11	CARBON 150 5%	1/4W
				R10	1-249-407-11	CARBON 150 5%	1/4W
				R11	1-249-429-11	CARBON 10K 5%	1/4W
				R12	1-249-429-11	CARBON 10K 5%	1/4W
				R15	1-249-385-11	CARBON 2.2 5%	1/6W
				R16	1-249-385-11	CARBON 2.2 5%	1/6W
				R17	1-249-385-11	CARBON 2.2 5%	1/6W
				R18	1-249-385-11	CARBON 2.2 5%	1/6W
				R19	1-249-435-11	CARBON 33K 5%	1/4W
				R20	1-249-435-11	CARBON 33K 5%	1/4W
				R21	1-249-429-11	CARBON 10K 5%	1/4W
				R22	1-247-815-00	CARBON 220 5%	1/4W
				R23	1-247-815-00	CARBON 220 5%	1/4W

AMPLIFIER

Ref. No.	Part No.	Description	Remark			Ref. No.	Part No.	Description	Remark		
R24	1-249-414-11	CARBON	560	5%	1/4W	C40	1-162-294-31	CERAMIC	0.001uF	10%	50V
R25	1-249-431-11	CARBON	15K	5%	1/4W	C41	1-162-294-31	CERAMIC	0.001uF	10%	50V
R26	1-249-429-11	CARBON	10K	5%	1/4W	C42	1-162-294-31	CERAMIC	0.001uF	10%	50V
		< VARIABLE RESISTOR >				C43	1-162-294-31	CERAMIC	0.001uF	10%	50V
						C44	1-162-294-31	CERAMIC	0.001uF	10%	50V
RV1	1-225-584-11	RES, VAR, CARBON	10K/10K	(VOLUME)		C45	1-162-294-31	CERAMIC	0.001uF	10%	50V
		< SWITCH >				C46	1-162-294-31	CERAMIC	0.001uF	10%	50V
SW1	1-771-302-11	SWITCH (POWER)				C47	1-162-294-31	CERAMIC	0.001uF	10%	50V

*	A-4542-541-A	AMPLIFIER BOARD, COMPLETE (Z750PC:US)				C48	1-162-294-31	CERAMIC	0.001uF	10%	50V
*	A-4542-544-A	AMPLIFIER BOARD, COMPLETE (Z750PC:EXCEPT US)				C49	1-162-294-31	CERAMIC	0.001uF	10%	50V
		*****				C54	1-162-294-31	CERAMIC	0.001uF	10%	50V
	7-685-871-01	SCREW +BVTT 3X6 (S)				C55	1-162-294-31	CERAMIC	0.001uF	10%	50V
	7-685-872-09	SCREW +BVTT 3X8 (S)				C56	1-162-294-31	CERAMIC	0.001uF	10%	50V
		< CAPACITOR >				C57	1-162-294-31	CERAMIC	0.001uF	10%	50V
C1	1-124-903-11	ELECT	1uF	20%	50V	C58	1-162-294-31	CERAMIC	0.001uF	10%	50V
C2	1-124-903-11	ELECT	1uF	20%	50V	C59	1-162-294-31	CERAMIC	0.001uF	10%	50V
C3	1-124-903-11	ELECT	1uF	20%	50V	C60	1-162-294-31	CERAMIC	0.001uF	10%	50V
C4	1-124-903-11	ELECT	1uF	20%	50V	C61	1-162-294-31	CERAMIC	0.001uF	10%	50V
C5	1-136-164-00	FILM	0.082uF	5%	50V			< DIODE >			
C6	1-136-164-00	FILM	0.082uF	5%	50V	D1	8-719-911-19	DIODE 1SS119			
C7	1-130-472-00	MYLAR	0.0012uF	5%	50V	D2	8-719-911-19	DIODE 1SS119			
C8	1-130-472-00	MYLAR	0.0012uF	5%	50V	D3	8-719-822-26	LED TLG226 (POWER)			
C9	1-124-903-11	ELECT	1uF	20%	50V			< FUSE >			
C10	1-124-903-11	ELECT	1uF	20%	50V	F1	1-532-595-00	FUSE, GLASS TUBE (3.15A/125V) (US)			
C11	1-124-907-11	ELECT	10uF	20%	50V			< IC >			
C12	1-124-907-11	ELECT	10uF	20%	50V	IC1	8-759-538-94	IC LA4663			
C13	1-124-903-11	ELECT	1uF	20%	50V	IC2	8-759-634-51	IC M5218AP			
C14	1-124-903-11	ELECT	1uF	20%	50V	IC3	8-759-708-08	IC NJM78L08A			
C15	1-136-169-00	FILM	0.22uF	5%	50V			< JACK >			
C16	1-136-169-00	FILM	0.22uF	5%	50V	JK1	1-565-376-31	JACK (INPUT (1))			
C17	1-124-907-11	ELECT	10uF	20%	50V	JK2	1-565-376-31	JACK (INPUT (2))			
C18	1-104-664-11	ELECT	47uF	20%	25V	JK3	1-565-376-31	JACK (R OUT)			
C19	1-136-165-00	FILM	0.1uF	5%	50V	JK4	1-695-619-11	JACK, DC (DC IN 15V)			
C20	1-136-165-00	FILM	0.1uF	5%	50V			< TRANSISTOR >			
C21	1-136-165-00	FILM	0.1uF	5%	50V	Q1	8-729-205-83	TRANSISTOR 2SC2458L-GR			
C22	1-136-165-00	FILM	0.1uF	5%	50V	Q2	8-729-205-83	TRANSISTOR 2SC2458L-GR			
C23	1-126-927-11	ELECT	2200uF	20%	10V			< RESISTOR >			
C24	1-136-169-00	FILM	0.22uF	5%	50V	R1	1-247-843-11	CARBON	3.3K	5%	1/4W
C25	1-126-029-11	ELECT	3300uF	20%	25V	R2	1-247-843-11	CARBON	3.3K	5%	1/4W
C26	1-126-961-11	ELECT	2.2uF	20%	50V	R3	1-247-843-11	CARBON	3.3K	5%	1/4W
C27	1-124-907-11	ELECT	10uF	20%	50V	R4	1-247-843-11	CARBON	3.3K	5%	1/4W
C28	1-126-233-11	ELECT	22uF	20%	50V	R5	1-249-419-11	CARBON	1.5K	5%	1/4W
C29	1-124-907-11	ELECT	10uF	20%	50V						
C30	1-104-666-11	ELECT	220uF	20%	25V	R6	1-249-419-11	CARBON	1.5K	5%	1/4W
C31	1-124-443-00	ELECT	100uF	20%	10V	R7	1-247-843-11	CARBON	3.3K	5%	1/4W
C32	1-136-165-00	FILM	0.1uF	5%	50V	R8	1-247-842-11	CARBON	3K	5%	1/4W
C33	1-124-443-00	ELECT	100uF	20%	10V	R9	1-247-843-11	CARBON	3.3K	5%	1/4W
C34	1-124-443-00	ELECT	100uF	20%	10V	R10	1-247-863-11	CARBON	22K	5%	1/4W

AMPLIFIER

Ref. No.	Part No.	Description	Remark
R11	1-247-863-11	CARBON 22K	5% 1/4W
R12	1-247-843-11	CARBON 3.3K	5% 1/4W
R13	1-247-843-11	CARBON 3.3K	5% 1/4W
R14	1-247-842-11	CARBON 3K	5% 1/4W
R15	1-249-407-11	CARBON 150	5% 1/4W
R16	1-249-407-11	CARBON 150	5% 1/4W
R17	1-249-429-11	CARBON 10K	5% 1/4W
R18	1-249-429-11	CARBON 10K	5% 1/4W
R19	1-247-863-11	CARBON 22K	5% 1/4W
R20	1-247-863-11	CARBON 22K	5% 1/4W
R21	1-247-863-11	CARBON 22K	5% 1/4W
R22	1-247-863-11	CARBON 22K	5% 1/4W
R23	1-249-439-11	CARBON 68K	5% 1/4W
R24	1-249-439-11	CARBON 68K	5% 1/4W
R25	1-249-417-11	CARBON 1K	5% 1/4W
R26	1-249-417-11	CARBON 1K	5% 1/4W
R29	1-249-385-11	CARBON 2.2	5% 1/6W
R30	1-249-385-11	CARBON 2.2	5% 1/6W
R31	1-249-385-11	CARBON 2.2	5% 1/6W
R32	1-249-385-11	CARBON 2.2	5% 1/6W
R33	1-249-435-11	CARBON 33K	5% 1/4W
R34	1-249-435-11	CARBON 33K	5% 1/4W
R35	1-249-429-11	CARBON 10K	5% 1/4W
R36	1-249-431-11	CARBON 15K	5% 1/4W
R37	1-249-429-11	CARBON 10K	5% 1/4W
R38	1-247-807-11	CARBON 100	5% 1/4W
R39	1-249-414-11	CARBON 560	5% 1/4W
R40	1-249-430-11	CARBON 12K	5% 1/4W
R41	1-249-430-11	CARBON 12K	5% 1/4W
R42	1-247-864-11	CARBON 24K	5% 1/4W
< VARIABLE RESISTOR >			
RV1	1-225-584-11	RES, VAR, CARBON 10K/10K	(VOLUME)
< SWITCH >			
SW1	1-771-302-11	SWITCH (POWER)	

MISCELLANEOUS			

58	1-769-080-11	CORD (WITH PLUG) (Z750)	
58	1-769-080-31	CORD (WITH PLUG) (Z750PC)	
SP1	1-505-926-11	SPEAKER (065F042) (L-CH)	
SP2	1-505-926-11	SPEAKER (065F042) (R-CH)	

Ref. No.	Part No.	Description	Remark
ACCESSORIES & PACKING MATERIALS			

	1-473-851-11	ADAPTOR, AC (AC-S1510) (US,CND,EE)	
	1-473-852-11	ADAPTOR, AC (AC-S1510) (AEP,SP)	
	1-473-853-11	ADAPTOR, AC (AC-S1510) (UK)	
	1-475-756-11	ADAPTOR, AC (AC-S1510) (AUS)	
	3-864-433-21	MANUAL, INSTRUCTION (ENGLISH,SPANISH)	(US)
	3-864-433-31	MANUAL, INSTRUCTION (ENGLISH,FRENCH,GERMAN,SPANISH) (EXCEPT US)	
	3-864-433-41	MANUAL, INSTRUCTION (ITALIAN,DUTCH,SWEDISH,PORTUGUESE) (AEP)	

HARDWARE LIST			

#1	7-685-104-19	SCREW +P 2X6 TYPE2 NON-SLIT	
#2	7-685-647-79	SCREW +BVTP 3X10 TYPE2 N-S	
#3	7-685-871-01	SCREW +BVTT 3X6 (S)	
#4	7-685-872-09	SCREW +BVTT 3X8 (S)	

